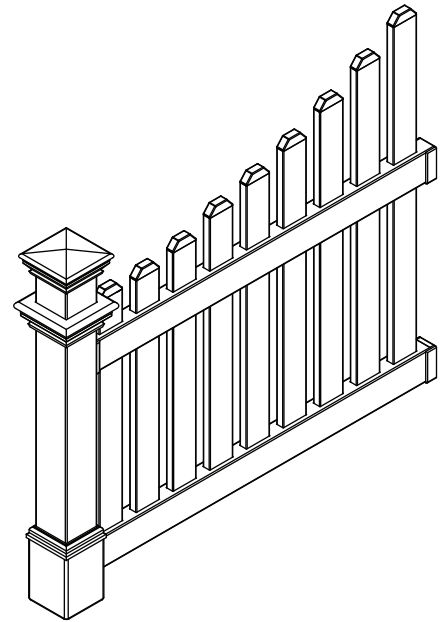
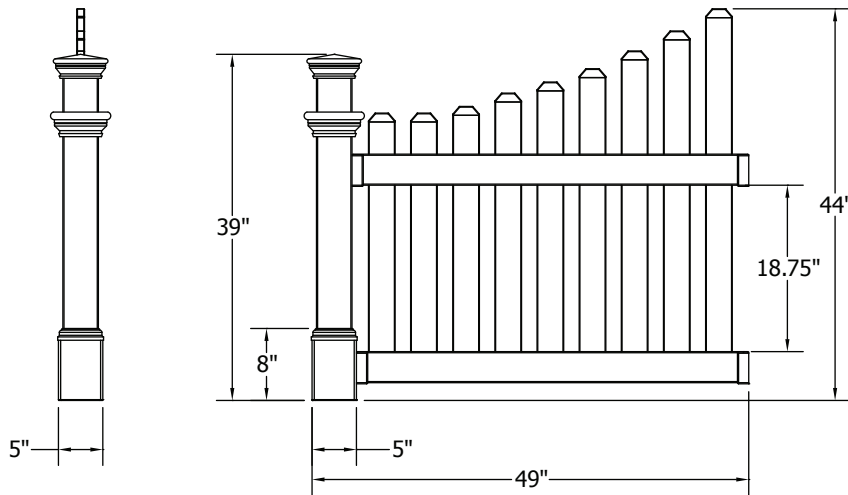


Cottage Picket Wings (Pre-Assembled)



Please read through before starting assembly.

Check Box for These Contents (1 Box)

In the event of missing or defective parts please call our customer service dept. at **1 800 282 9346, ext #20** (Mon. to Fri. 8:00 AM to 4:00 PM EST).

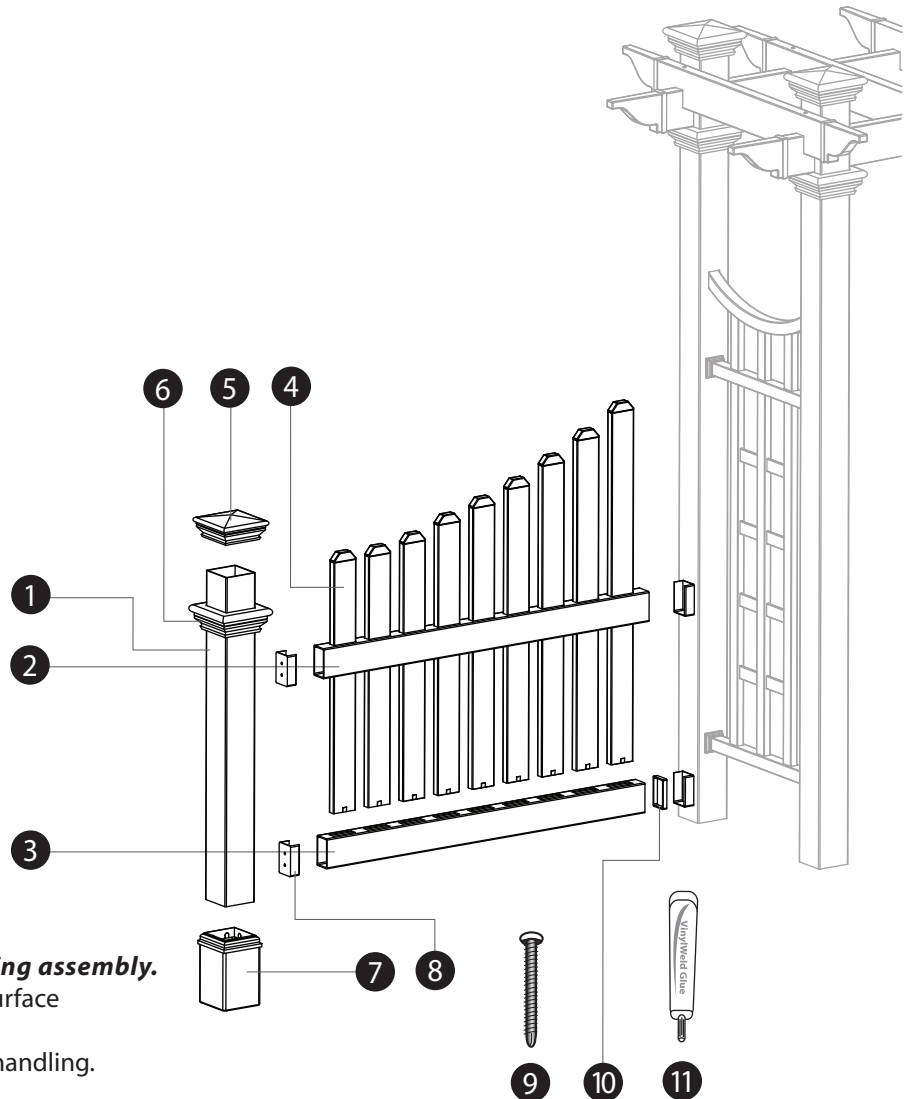
1. Posts (2) 4" x 4" x 54"
2. Top Rails (2) 2" x 3.5" x 44.5"
3. Bottom Rails (2) 2" x 3.5" x 43.5"
4. Pickets (4) .875" x 3" x 29.25"
Pickets (2) .875" x 3" x 30"
Pickets (2) .875" x 3" x 31.5"
Pickets (2) .875" x 3" x 32.75"
Pickets (2) .875" x 3" x 34.25"
Pickets (2) .875" x 3" x 36.25"
Pickets (2) .875" x 3" x 38.25"
Pickets (2) .875" x 3" x 41"
5. External Post Caps (2) 4" x 4"
6. Trim Caps (2) 4" x 4"
7. Base Moldings (2) 5" x 5"
8. Rail Mount Brackets (8) 2" x 3.5"
- Hardware Kit (Includes):
9. Self-tapping stainless Screws (32) .75"
10. Rail end spacers (4) .5"
11. Tube of vinyl cement (1)

Tools You Will Need

- Cordless Drill with #2 Phillips bit
- Tape measure
- Pencil
- Level
- Shovel
- Two bags of pre-mix concrete (optional)

General Information

- **Read Instructions through carefully before beginning assembly.**
- When handling components, place on a non-abrasive surface (i.e. shipping box) to avoid scratching.
- We recommend an area approx 5' x 5' for unobstructed handling.



Not to Scale

Ver 2/Oct 2009

Cottage Picket Wings Installation

STEP ONE

A

Lay out one of the posts (part 1). Measure 8" from one end of the post and put a mark. Center the rail mount bracket (part 8) on the post, with the open end at the 8" mark. Using two screws, fasten the bracket to the post as illustrated. Repeat this for the second post. **Note:** All screws are self-tapping and require no pre-drilling.

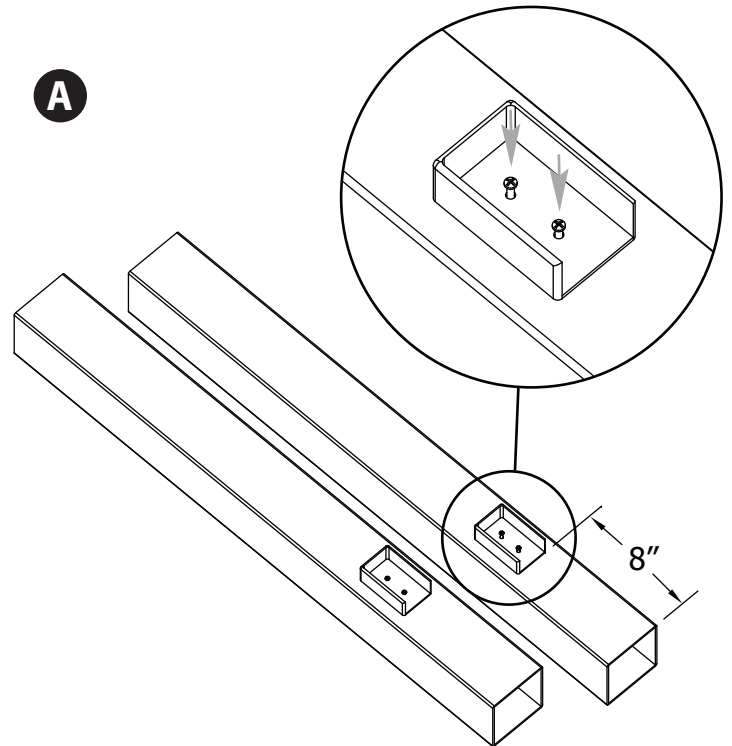
B

Take one of the posts and measure 29" from the same end of the post as in step 1. Put a mark on the post at this distance.

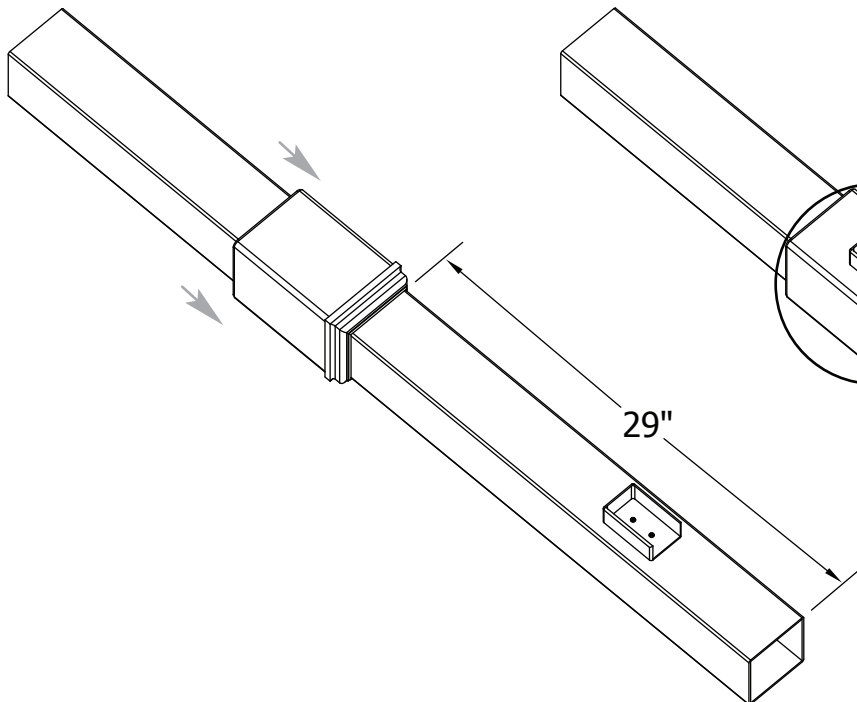
Slip one of the base moldings (part 7) onto the opposite end of the post as illustrated. Slide it up the post until the top edge of the molding is at the 29" mark.

C

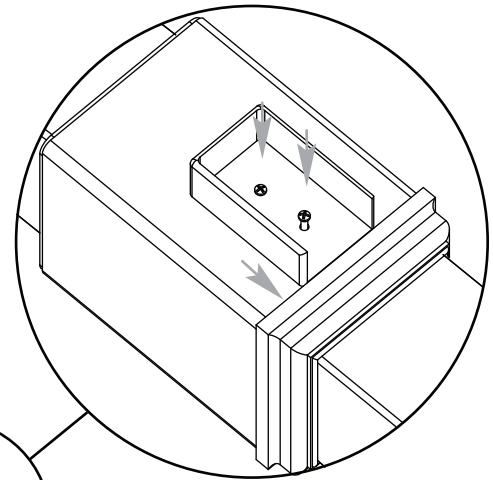
Center another rail mount bracket on the base molding, keeping the open end of it tight against the raised lip of the base molding trim. Fasten the bracket in place using two screws. Repeat steps A through C for the other post. **Note:** The distance between the two brackets should measure approximately 18 3/4" when finished.



B



C



STEP TWO

A

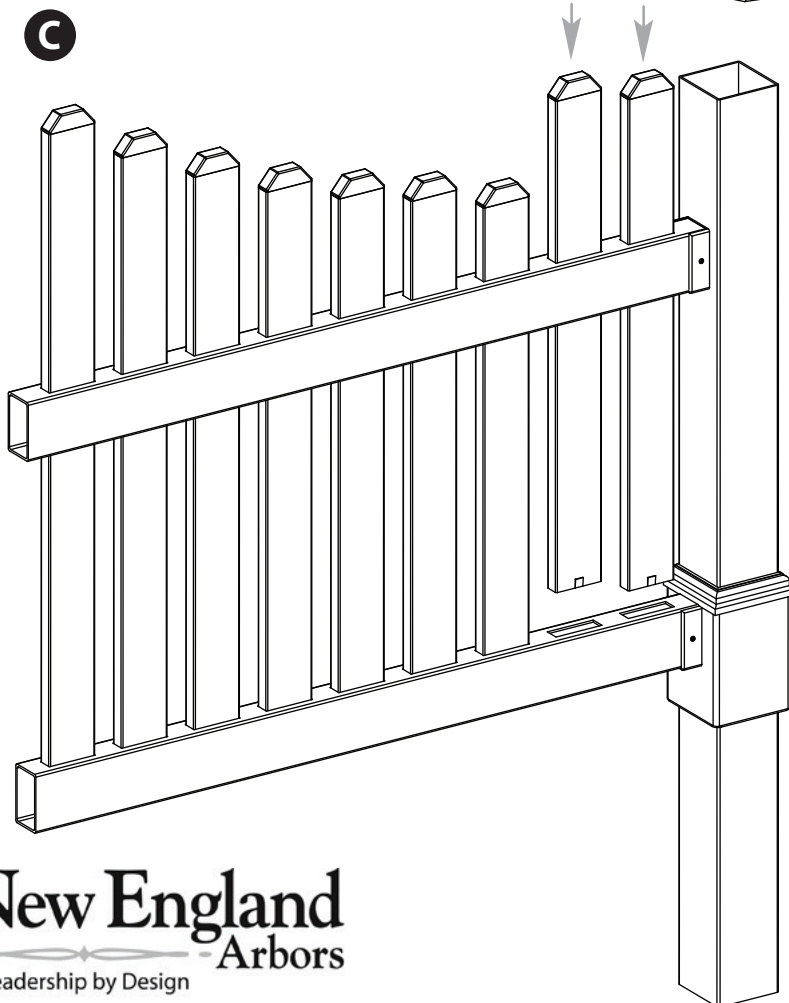
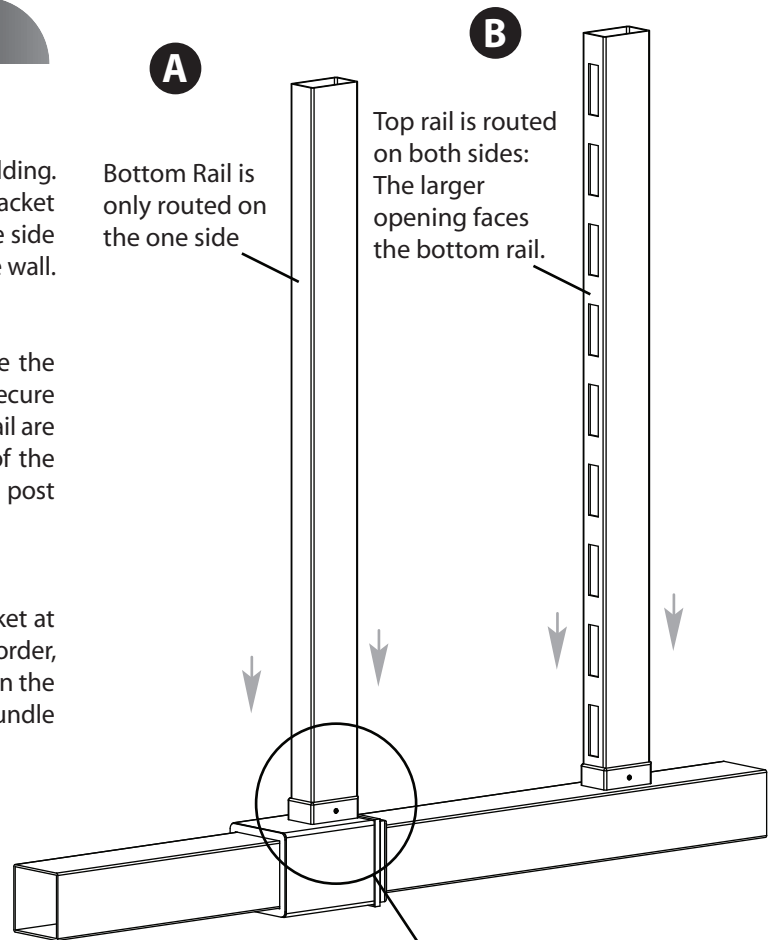
Insert the bottom rail (part 3) into the bracket on the base molding. Make sure the holes in the rail are facing towards the second bracket on the post. Using one screw, secure the rail in place through the side wall of the bracket as illustrated. Repeat this for the opposite side wall.

B

Insert the top rail (part 2) into the second bracket, making sure the larger sized holes in the rail are facing towards the bottom rail. Secure the rail as described in the previous step. **Note:** The holes in the rail are approx. 1/8" larger on one side to allow for proper alignment of the pickets when mounting. Repeat steps A and B for the remaining post and rails.

C

Break open one bundle of pickets (part 4). Start with the 41" picket at the furthest end of the rails, and insert each one in descending order, ending with two 29 1/4" pickets at the post. Make sure the tabs on the end of the pickets "snap" into the bottom rail. Open the second bundle of pickets and repeat for the opposite wing panel.



STEP THREE

A

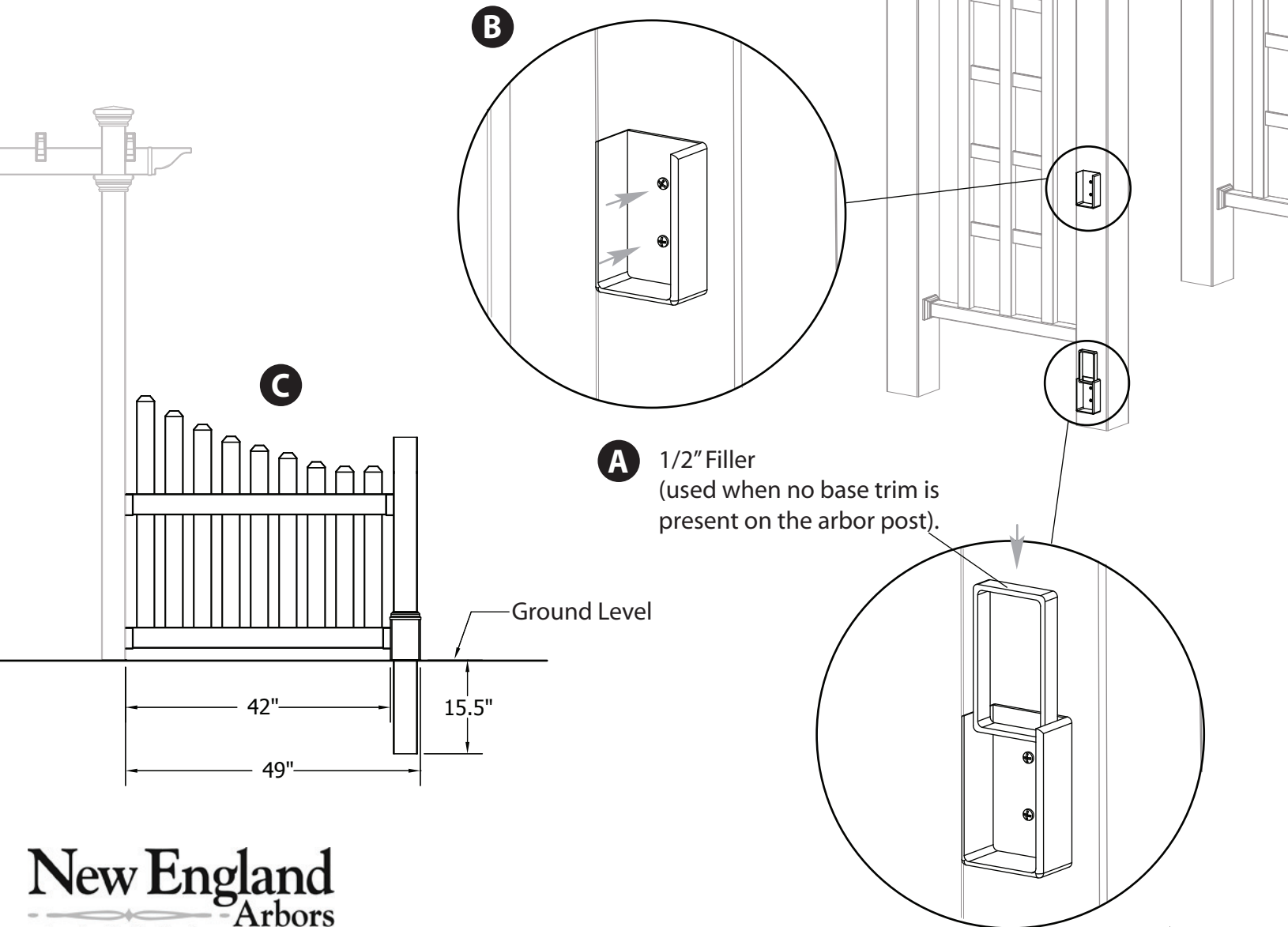
Determine which side of your arbor the wings will be attached to. Fasten a rail mount bracket to the outside of the arbor base molding in the same manner as described in step one (c). **Note:** If your arbor does not have a base mold, install bracket directly on arbor (B). You will need to use 1/2" filler (A) as bottom rail is shorter to allow for base mold.

B

Using two screws, fasten a second bracket to the outside of the arbor post as illustrated. The distance between the brackets on the arbor post must equal the distance measured between the brackets on the wing post. Repeat steps A and B for the arbor side panel.

C

Using the distances shown, mark out each hole location on both sides of the arbor. Dig out two 16" deep holes.



STEP FOUR

A

Lower the wing post into the hole, while slipping each rail end into the corresponding bracket on the arbor post. Check the top rail for level, and adjust the depth of the hole if needed. Secure the rail ends to the brackets as described in step 2 (a), and fill in the hole (for added stability, use pre-mix concrete). Repeat this step for the opposite wing panel.

Note: The bottom of the wing post base molding should be at ground level when finished.

B

Apply a generous amount of vinyl glue around the post. **Note:** The vinyl glue should be applied below the top of the picket cap level as shown.

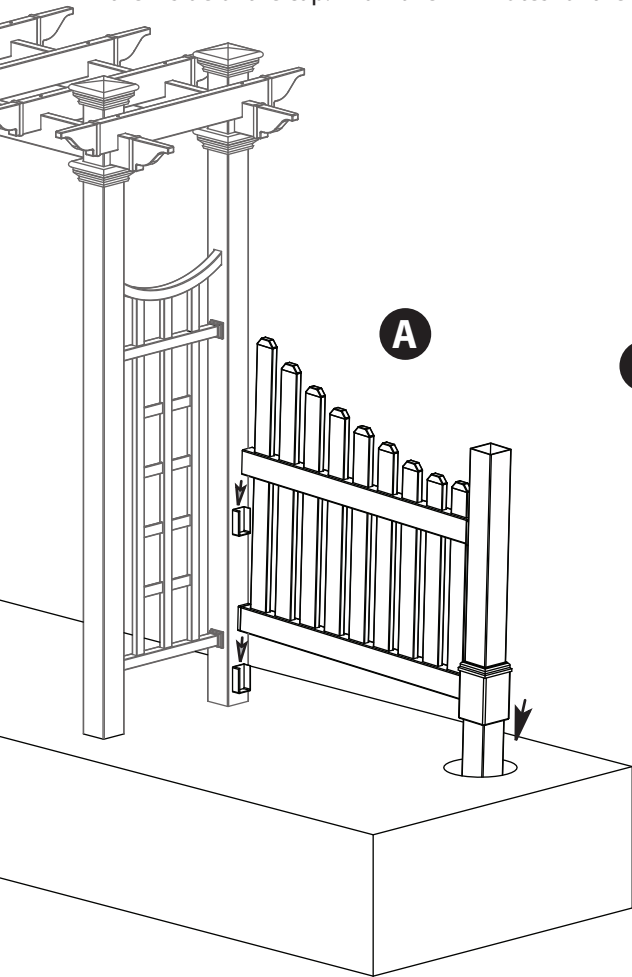
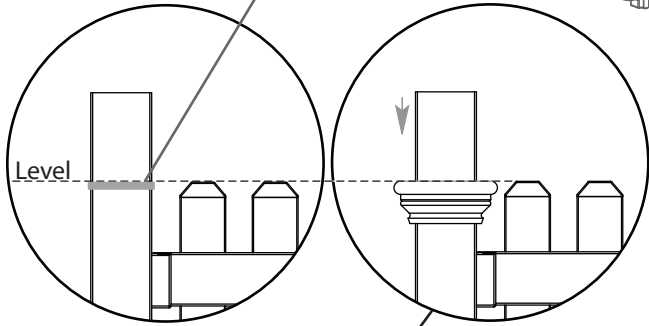
Slip one trim cap (part 6) over the end of each post. Slide each cap down until the top edge is level with the top of the first picket.

C

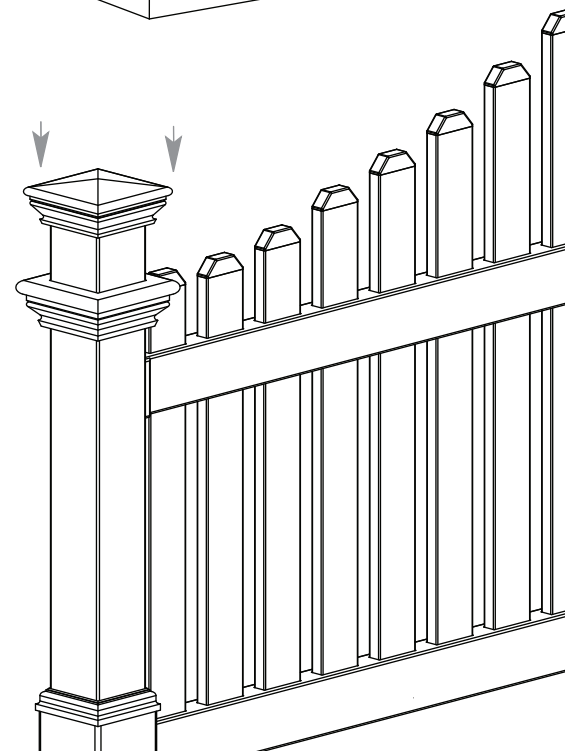
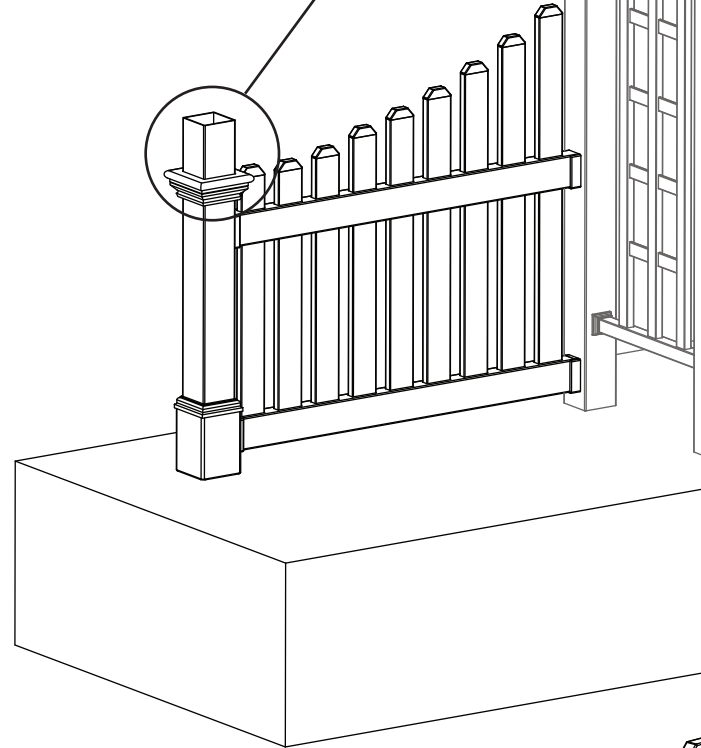
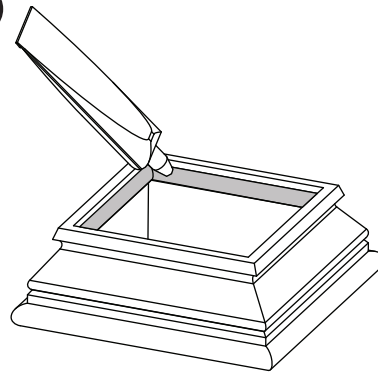
Apply a bead of vinyl cement to the underside of each post cap (part 5). To ensure proper attachment to the post, apply the cement to all internal "contact" points of the cap. Place the caps onto the end of each post and push down firmly until the end of the post "bottoms out" on the inside of the cap. Allow a few minutes for the cement to cure.

Vinyl glue is to be applied below the picket level.

B



C



New England
Arbors
Leadership by Design